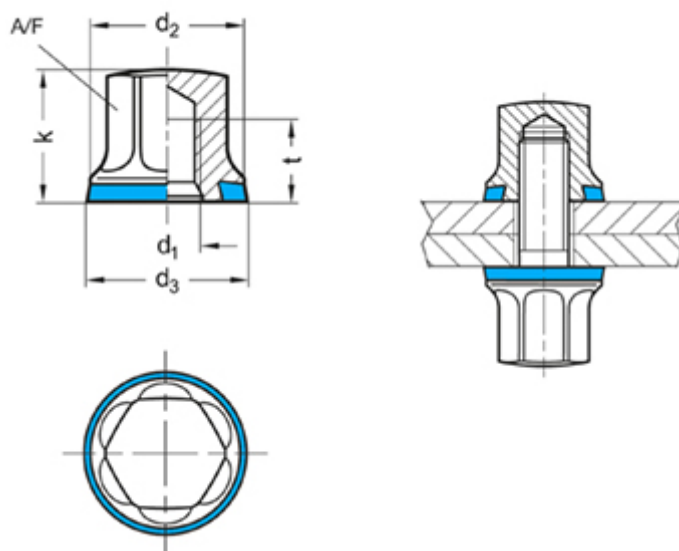


Article number: 201580M10MTE

Description: E+G Nut GN 1580-M10-MT-E
Hygienic design EPDM

Measures



A/F	= 16
d1	= M10
d2	= 21
d3	= 21.8
k	= 18
t min	= 12
Weight in (g)	= 15